

Elastic Tape Attaching Device with a Right Hand
Fabric Undertrimmer for MF-7500 Series

MF-7500-E11

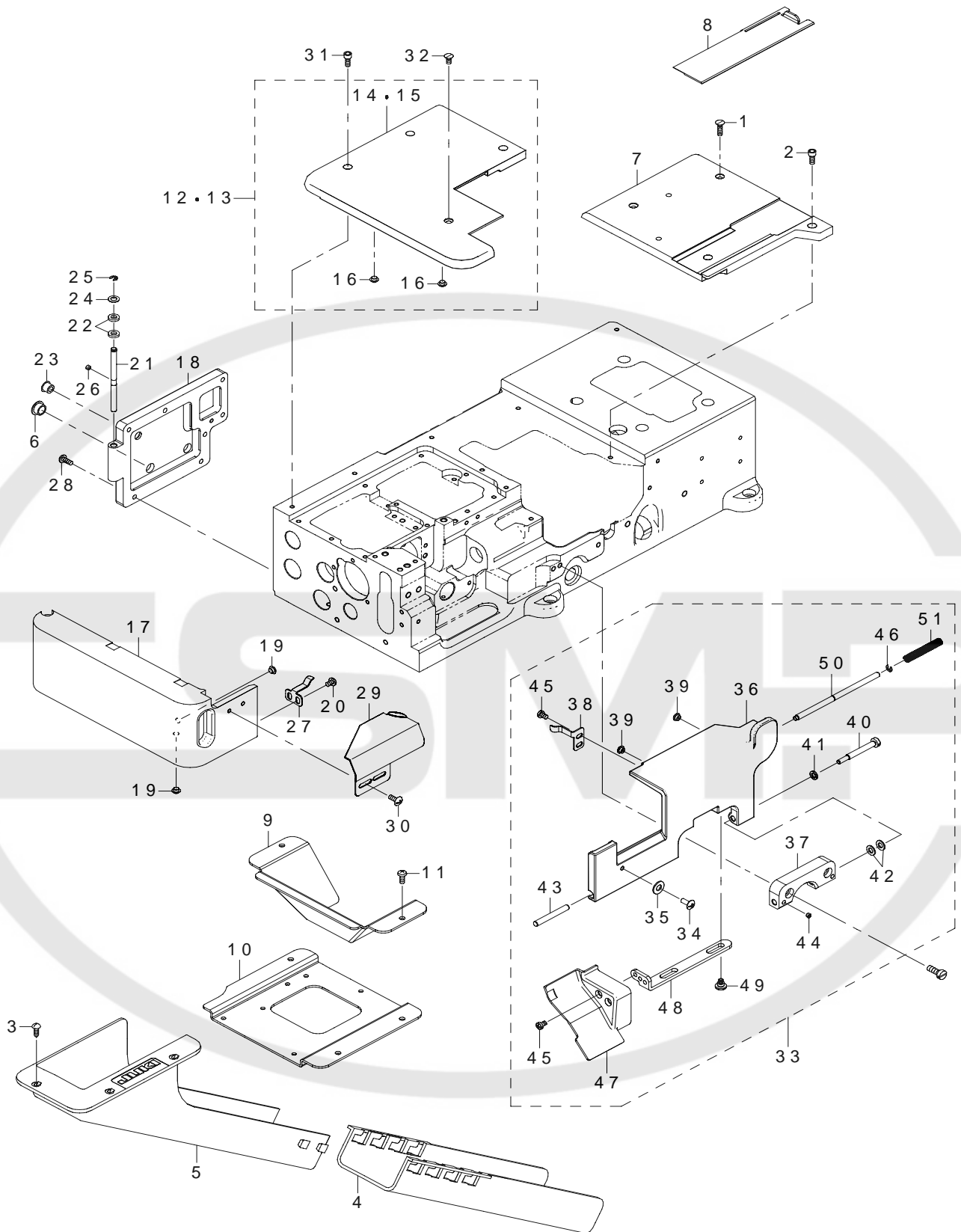
PARTS LIST

ALL PARTS NOT MENTIONED IN THIS PARTS LIST ARE SAME AS THOSE OF
MODEL MF-7500. OTHER PARTS LIST RELATED TO THIS MODEL.

*MF-7500 SERIES(NO.1596 PART NO.70002001)

CSTMP

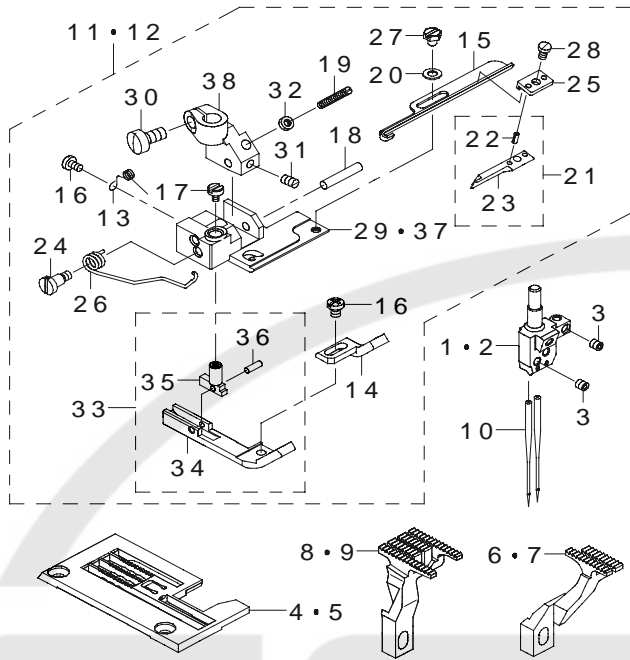
1. MISCELLANEOUS COVER COMPONENTS



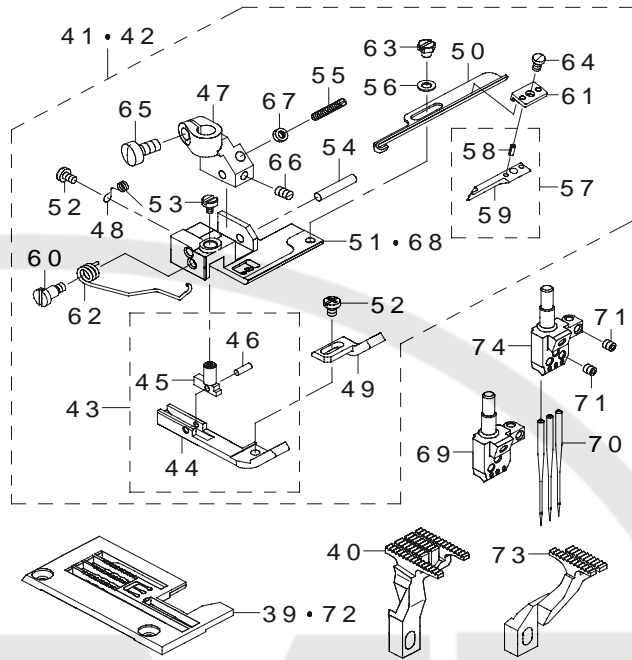
REF.NO	NOTE	PART NO	DESCRIPTION	Qty
1		SM-1041400-SP	SCREW	2
2		SM-6041002-TP	SCREW M4 L=10	2
3		SK-3412001-SE	WOOD SCREW D=4.1 L=20	5
4		123-41806	CLOTH WASTE CHUTE	1
5		400-17248	DUST_SHOOT_UP	1
6		TA-1050504-R0	RUBBER PLUG	2
7		133-03706	CLOTH PLATE RIGHT	1
8		133-03805	SLIDE COVER	1
9		400-71739	DUST_CHUTE	1
10		400-71738	DUST_CHUTE_BRACKET	1
11		SM-5041055-SN	SCREW M4X10	3
12	#01	700-03502	ASSY_CLOTH_PLATE_LEFT_E11	1
13	#02	700-03997	ASSY_CLOTH_PLATE_LEFT_TC	1
14	#01	700-03503	CLOTH_PLATE_LEFT_E11	(1)
15	#02	700-03999	CLOTH_PLATE_LEFT_TC	(1)
16		133-02302	RUBBER BUMPER	(2)
17		700-03500	SIDE_COVER	1
18		700-01659	FEED_CHAMBER_COVER	1
19		133-02302	RUBBER BUMPER	2
20		SM-4040655-SP	SCREW M4 L=6	2
21		133-05107	PIN_FOR_SIDE_COVER	1
22		133-02708	RUBBER WASHER	2
23		TA-0850604-R0	RUBBER PLUG	1
24		WP-0550800-SP	WASHER 5.5X10X0.8	1
25		RE-0300000-K0	E-RING 3	1
26		SM-8040360-TP	SCREW	1
27		133-04308	LATCH SPRING	1
28		SM-4041055-SP	SCREW	7
29		400-40542	GUIDE CIRCLE	1
30		SM-0041055-SP	SCREW	2
31		SM-6041002-TP	SCREW M4 L=10	3
32		SM-1040800-SP	SCREW	1
33		700-03495	ASSY_SWING_DOWN_COVER_E11	1
34		SM-0041055-SP	SCREW	(1)
35		WP-0621016-SD	WASHER 6.2X13X1	(1)
36		700-03496	SWING_DOWN_COVER_E11	(1)
37		700-01431	HINGE	(1)
38		400-08947	LATCH_SPRING	(1)
39		133-02302	RUBBER BUMPER	(2)
40		700-01414	SCREW	(1)
41		WS-0510002-KP	SPRING WASHER 5.1X9.2X1.3	(1)
42		WP-0531000-SC	WASHER 5.3X10X1	(2)
43		PH-0500400-C0	PARALLEL PIN	(1)
44		SM-8040412-TP	SET SCREW M4 L=4	(2)
45		SM-4040655-SP	SCREW M4 L=6	(4)
46		RE-0300000-K0	E-RING 3	(1)
47		700-03498	SLIP_COVER	(1)
48		400-08939	PLATE_A	(1)
49		SD-0600326-TP	SHOULDER SCREW	(2)
50		400-08940	SLIDE_SHAFT	(1)
51		131-01209	LOOPER COVER SPRING	(1)
		NOTE	#01....WITH NO TC16 #02....WITH TC16	

2. GAUGE PARTS COMPONENTS

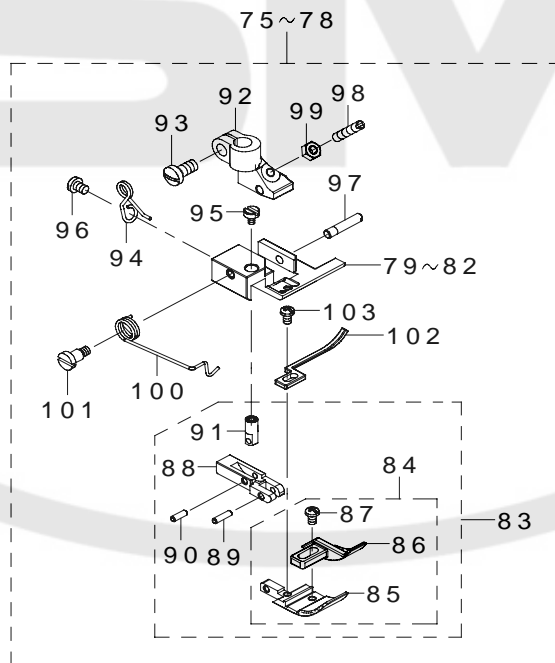
MF-7522-E11-B32
MF-7522-E11-B40



MF-7523-E11-B56
MF-7523-E11-B64

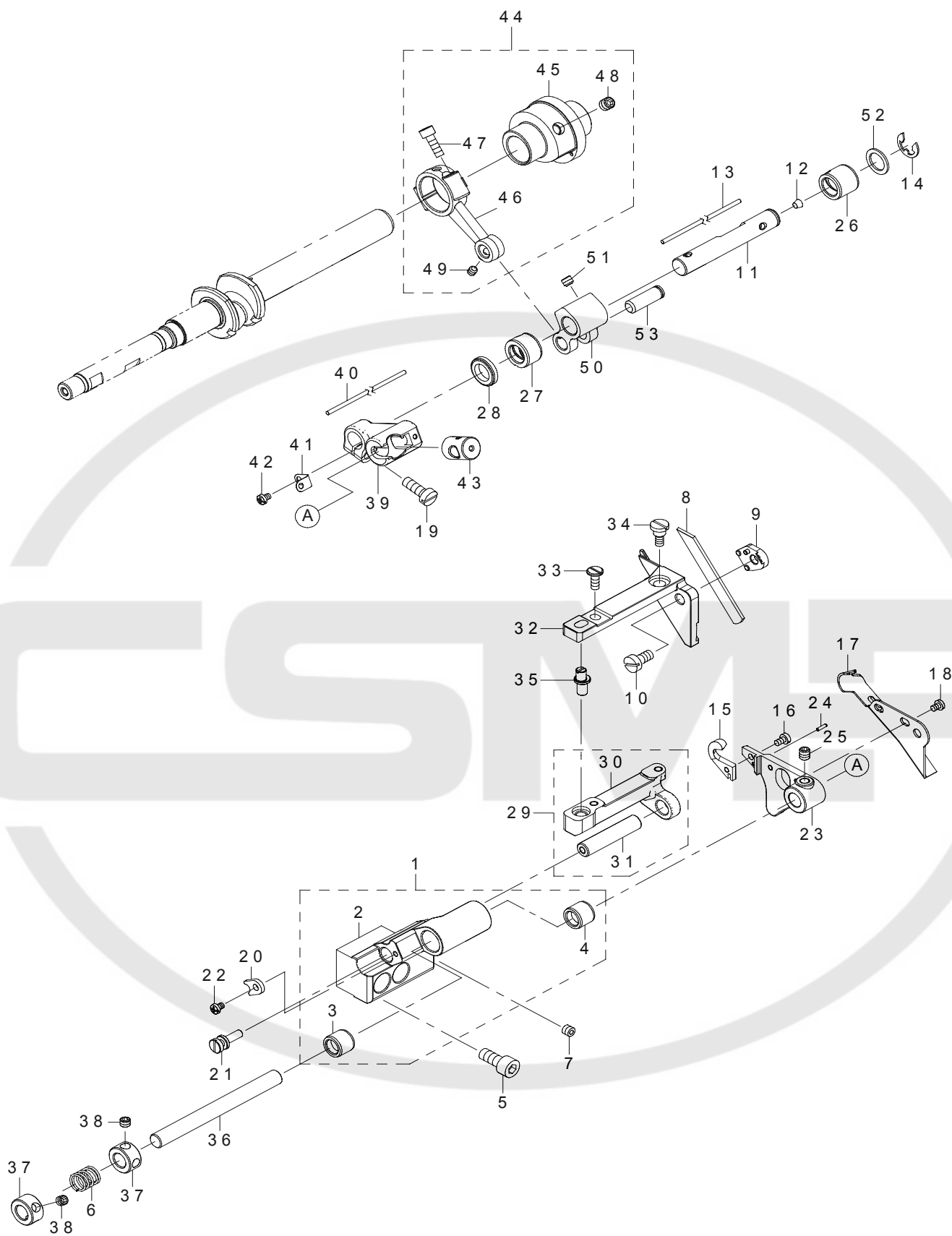


OPTION GAUGE PARTS



REF.NO	NOTE	PART NO	DESCRIPTION	Qty
1	#02	133-50103	NEEDLE_HEAD_40	1
2	#01	133-50004	NEEDLE_HEAD_32	1
3		SM-8030312-TP	SCREW M3 L=3	3
4	#01	400-58580	THROAT_PLATE	1
5	#02	133-56001	THROAT_PLATE	1
6	#01	400-58582	DIFF_FEED_DOG	1
7	#02	133-58106	DIFF_FEED_DOG	1
8	#01	400-79714	MAIN FEED DOG	1
9	#02	400-79715	MAIN FEED DOG	1
10		MUY-128S1000	NEEDLE	2
11	#01	400-58591	PRESSER_FOOT_32_ASSY	1
12	#02	400-18288	PRESSER_FOOT_40_ASSY	1
13		133-76603	YIELDING_SECTION_SPRING	(1)
14		133-77601	KNIFE_GUIDE	(1)
15		133-77908	TAPE_GUIDE_LEFT	(1)
16		SM-4030455-SP	SCREW	(2)
17		133-76702	THREAD_SPRING_SCREW	(1)
18		PH-0300162-C0	PARALLEL_PIN 3X16	(1)
19		133-76801	SCREW_FOR_PRESSER_FOOT	(1)
20		WP-0320500-SC	WASHER M3	(1)
21		400-27528	TAPE_GUIDE_RIGHT_ASSY	(1)
22		PS-0150042-K0	SPRING_PIN 1.5X 4	(2)
23		400-27527	TAPE_GUIDE_RIGHT	(1)
24		133-77809	GUIDE_SCREW	(1)
25		133-78203	PLATE_TAPE_GUIDE	(1)
26		133-77700	YIELDING_SECTION_SPRING	(1)
27		133-78005	SCREW	(1)
28		SM-6850400-SP	SCREW M2.5 L=4	(1)
29	#01	400-58590	PRESSER_FOOT_BOTTOM_32	(1)
30		SM-7040800-SL	SCREW	(1)
31		SM-8030500-SP	SCREW	(1)
32		NM-6030001-SD	NUT M3X0.5	(1)
33		133-77551	YIELDING_SECTION_ASSY	(1)
34		133-77502	YIELDING_SECTION	(1)
35		133-77205	YIELDING_SECTION_SHANK	(1)
36		133-77304	PIVOT_PIN	(1)
37	#02	133-76108	PRESSER_FOOT_BOTTOM_40	(1)
38		133-76504	PRESSER_FOOT_SHANK	(1)
39	#03	133-56209	THROAT_PLATE	1
40		400-79716	MAIN FEED DOG	1
41	#03	400-99964	PRESSER_FOOT_56_ASSY	1
42	#04	400-18289	PRESSER_FOOT_56_ASSY	1
43		133-77551	YIELDING_SECTION_ASSY	(1)
44		133-77502	YIELDING_SECTION	(1)
45		133-77205	YIELDING_SECTION_SHANK	(1)
46		133-77304	PIVOT_PIN	(1)
47		133-76504	PRESSER_FOOT_SHANK	(1)
48		133-76603	YIELDING_SECTION_SPRING	(1)
49		133-77601	KNIFE_GUIDE	(1)
50		133-77908	TAPE_GUIDE_LEFT	(1)
51	#03	400-99965	PRESSER_FOOT_BOTTOM_56	(1)
52		SM-4030455-SP	SCREW	(2)
53		133-76702	THREAD_SPRING_SCREW	(1)
54		PH-0300162-C0	PARALLEL_PIN 3X16	(1)
55		133-76801	SCREW_FOR_PRESSER_FOOT	(1)
56		WP-0320500-SC	WASHER M3	(1)
57		400-27528	TAPE_GUIDE_RIGHT_ASSY	(1)
58		PS-0150042-K0	SPRING_PIN 1.5X 4	(2)
59		400-27527	TAPE_GUIDE_RIGHT	(1)
60		133-77809	GUIDE_SCREW	(1)
61		133-78203	PLATE_TAPE_GUIDE	(1)
62		133-77700	YIELDING_SECTION_SPRING	(1)
63		133-78005	SCREW	(1)
64		SM-6850400-SP	SCREW M2.5 L=4	(1)
65		SM-7040800-SL	SCREW	(1)
66		SM-8030500-SP	SCREW	(1)
67		NM-6030001-SD	NUT M3X0.5	(1)
68	#04	133-76207	PRESSER_FOOT_BOTTOM_56	(1)
69	#04	133-50400	NEEDLE_HEAD_64	1
70		MUY-128S1000	NEEDLE	3
71		SM-8030312-TP	SCREW M3 L=3	4
72	#04	133-56308	THROAT_PLATE	1
73		133-58205	DIFF_FEED_DOG	1
74	#03	133-50301	NEEDLE_HEAD_56	1
75	#01	700-03617	PRESSER_FOOT_32_ASSY	1
76	#02	700-03619	PRESSER_FOOT_40_ASSY	1
77	#03	700-03602	PRESSER_FOOT_56_ASSY	1
78	#04	700-03621	PRESSER_FOOT_64_ASSY	1
79	#01	700-03618	PRESSER_FOOT_BOTTOM_32	(1)
80	#02	700-03620	PRESSER_FOOT_BOTTOM_40	(1)
81	#03	700-03603	PRESSER_FOOT_BOTTOM_56	(1)
82	#04	700-03622	PRESSER_FOOT_BOTTOM_64	(1)
83		700-03616	YIELDING_SECTION_ASSY	(1)
84		700-03615	KNIFE_GUIDE_ASSY	(1)
85		700-03604	YIELDING_SECTION_FRONT	(1)
86		700-03609	KNIFE_GUIDE	(1)
87		SM-4850455-SN	SCREW M2.5 L=4	(1)
88		700-03605	YIELDING_SECTION	(1)
89		700-03607	PIVOT_PIN	(1)
90		133-77304	PIVOT_PIN	(1)
91		700-03606	YIELDING_SECTION_SHANK	(1)
92		700-03613	PRESSER_FOOT_SHANK	(1)
93		SM-7040800-SL	SCREW	(1)
94		700-03612	YIELDING_SECTION_SPRING	(1)
95		133-76702	THREAD_SPRING_SCREW	(1)
96		SM-4030455-SP	SCREW	(1)
97		700-03614	PARALLEL_PIN	(1)
98		133-76801	SCREW_FOR_PRESSER_FOOT	(1)
99		NM-6030001-SD	NUT M3X0.5 TYPE1	(1)
100		700-03611	YIELDING_SECTION_SPRING	(1)
101		133-77809	GUIDE_SCREW	(1)
102		700-03610	TAPE_GUIDE_LEFT	(1)
103		SM-4850455-SN	SCREW M2.5 L=4	(1)
	NOTE		#01...FOR MF-7522-E10-B32 #02...FOR MF-7522-E10-B40 #03...FOR MF-7523-E10-B56 #04...FOR MF-7523-E10-B64	

3. FABRIC TRIMMER RIGHT COMPONENTS



REF.NO	NOTE	PART NO	DESCRIPTION	Qty
1		700-03517	TRIMMER_BASE_ASSY	1
2		700-03518	TRIMMER_BASE	(1)
3		400-40613	BUSHING_FABRIC_TRIM_RIGHT	(1)
4		700-04171	BUSHING_FABRIC_TRIM_RIGHT	(1)
5		SM-6061402-TP	SCREW M6 L=14	2
6		400-40306	UPPER_KNIFE_SPRING	1
7		SM-8050412-TP	SCREW M5 L=4	1
8		400-38091	LOWER_KNIFE	1
9		400-40547	LOWER_KNIFE_PRESSER_PLATE	1
10		SM-6051000-SP	SCREW	1
11		700-03506	MOVING_KNIFE_DRIVE_SHAFT	1
12		TA-0400301-M0	PLUG D=4X4.5 L=3	1
13		CQ-2020000-00	COTTON OIL WICK D=2	0.11
14		RE-0700000-K0	E-RING 7	1
15		700-03483	MOVING_KNIFE	1
16		SM-6030500-SN	SCREW M3 L=5	1
17		700-03510	FABRIC_CHIP_GUARD	1
18		SM-4030455-SP	SCREW	2
19		SM-6051400-SP	SCREW	1
20		400-40535	ADJUST_PLATE	1
21		400-40536	ADJUST_SCREW	1
22		SM-4030455-SP	SCREW	1
23		700-03511	MOVING_KNIFE_BASE	1
24		PH-0150065-C0	PARALLEL PIN TYPE A 1.5X6	1
25		SM-8050612-TP	SCREW M5X6	1
26		133-34909	BUSHING_NDL_GUARD_A	1
27		133-35005	BUSHING_NDL_GUARD_B	1
28		133-35203	OIL_SEAL	1
29		700-03514	FIXED_KNIFE_BASE_ASSY	1
30		700-03515	FIXED_KNIFE_BASE	(1)
31		700-03516	FIXED_KNIFE_BASE_SHAFT	(1)
32		700-03513	BUSHING_FABRIC_TRIM_RIGHT	1
33		SM-6041050-TP	SCREW	1
34		SD-0600406-TP	SHOULDER SCREW D=6 H=4	1
35		700-03512	ADJUST_PIN	1
36		700-03509	MOVING_KNIFE_SHAFT	1
37		CS-0800881-TP	THRUST COLLAR D=8 W=8	2
38		SM-8050412-TP	SCREW M5 L=4	2
39		700-03508	MOVING_KNIFE_DRIVE_LINK	1
40		CQ-2000000-01	OIL WICK	0.1
41		700-03484	OIL_WICK_PLATE	1
42		SM-4030455-SN	SCREW	1
43		700-03507	PIVOT_SHAFT	1
44		700-03494	MOVING_KNIFE_DRIVE_CAM_ASSY	1
45		700-03505	MOVING_KNIFE_DRIVE_CAM	(1)
46		133-34107	NDL_GUARD_CONN_ROD	(1)
47		SM-6041202-TP	SCREW M4X0.7 L=12	(2)
48		SM-8060612-TP	SCREW M6 L=6	(2)
49		SM-8040412-TP	SCREW M4X4	(1)
50		133-34206	NDL_GUARD_DRIVE_LEVER	1
51		SM-8050412-TP	SCREW M5 L=4	2
52		WP-1021026-SH	WASHER	1
53		133-34305	PIN_NDL_GUARD	1



JUKI CORPORATION

SEWING MACHINERY BUSINESS UNIT
2-11-1, TSURUMAKI, TAMA-SHI,
TOKYO, 206-8551, JAPAN

PHONE:(81)42-357-2371
FAX:(81)42-357-2380

Copyright© 2013 JUKI CORP.
All rights reserved throughout the world.

Printed in China